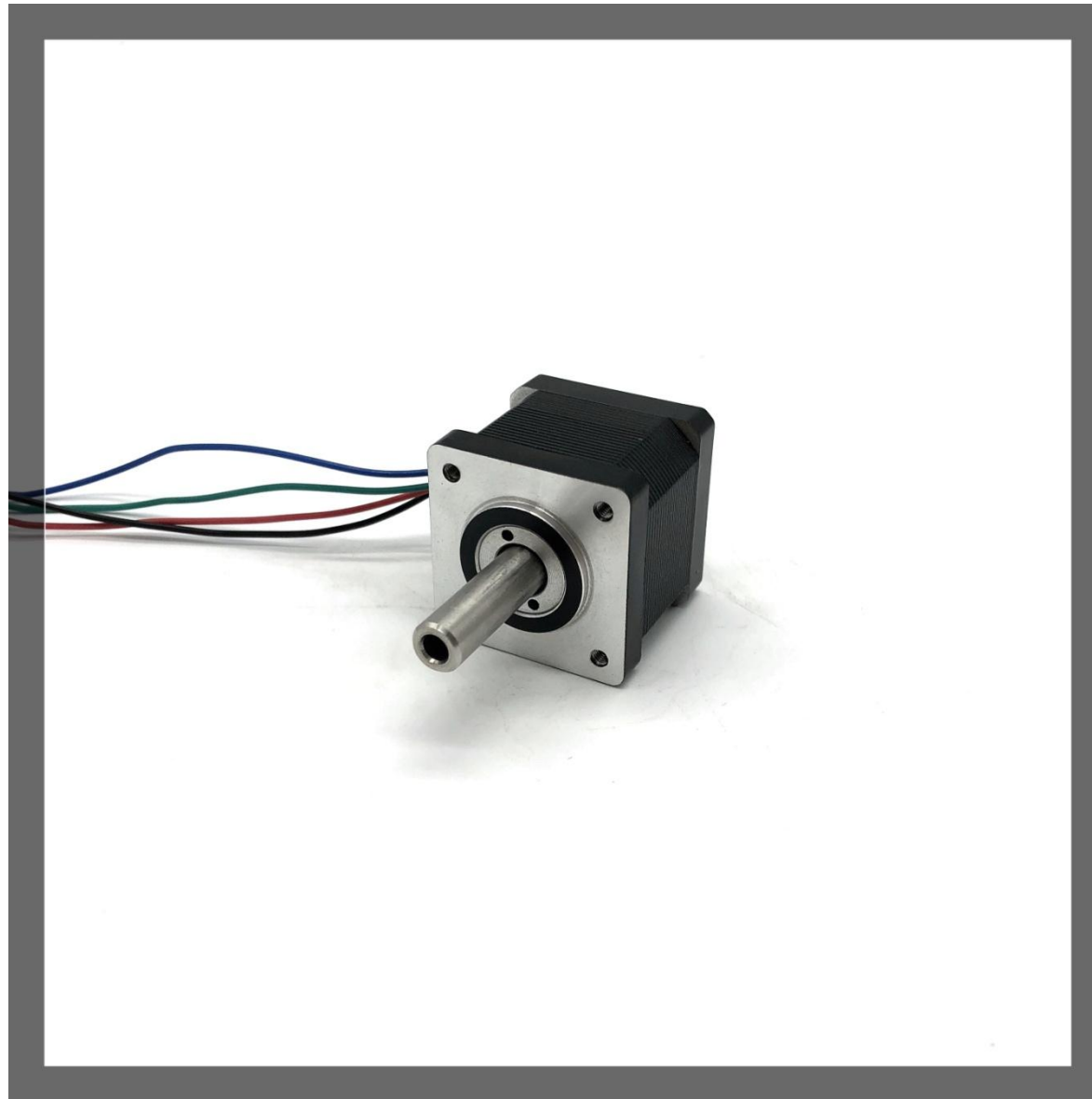


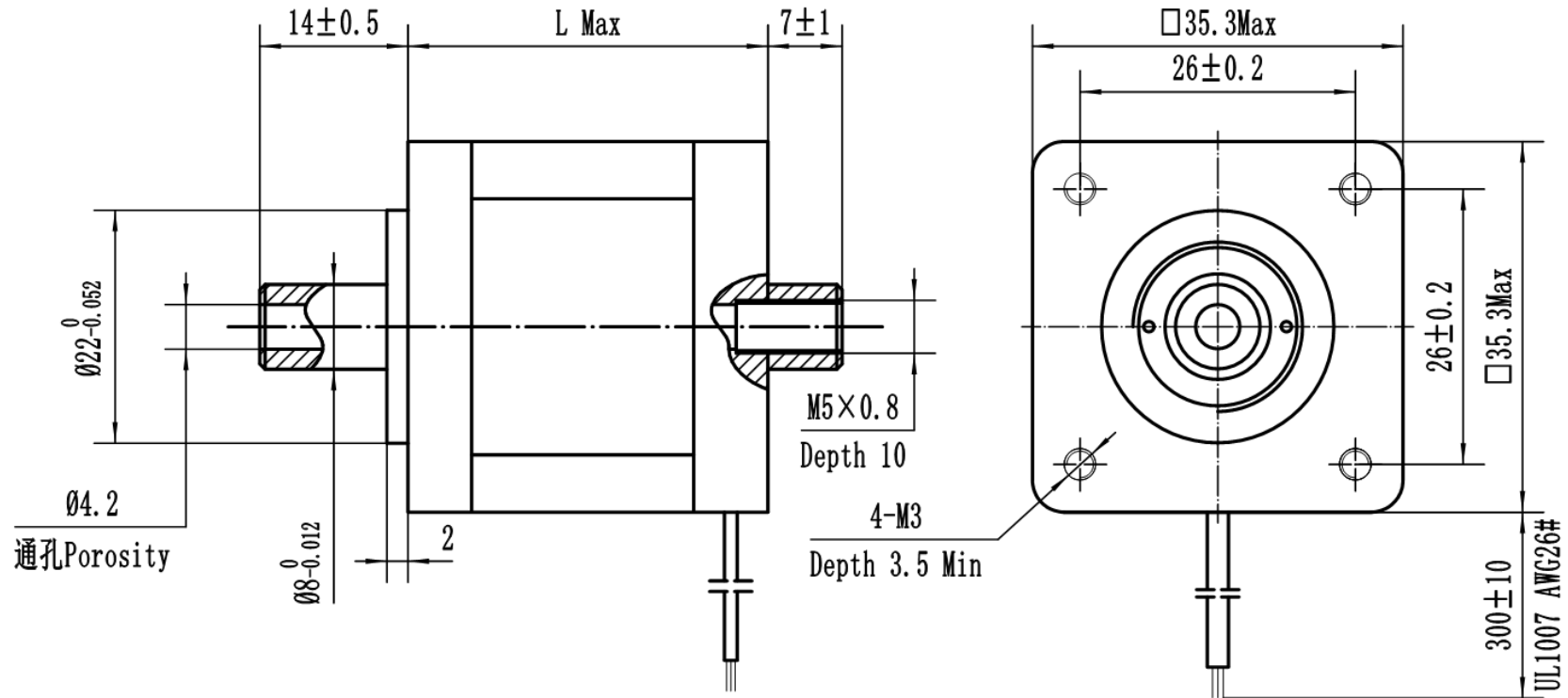
NEMA14 Hybrid Hollow Shaft Stepper Motor (1.8°) MR35HS Series



Technical Parameter

Subject	Specification	Subject	Specification
Phase	2	Axial Load	25N(5.6 Lbs.) Thrust 65(15 Lbs.) Tension
Step/Circle	200		
Step Angle	1.8°	Radial Load	30N(6.5 Lbs) point of action in the middle of shaft
Step Angle Accuracy	±5%	Operating Temperature	-20°C-50°C
IP Level	IP40	Insulation Grade	B class. 130°C(F class available)
Certificate	CE Rohs	Insulation Resistance	100 MegOhms

Drawing of the stepper motor



Size: mm

Technical Specification

型号 Model	相数 Number of phase	电流 Current	电阻 Resistance	电感 Inductance	保持转矩 Holding Torque	转动惯量 Rotor Inertia	定位力矩 Detent Torque	重量 Weight	机身长度 Length (L)
		A	Ω	mH	Kg. cm	$g. cm^2$	g. cm	Kg	mm
MR35HS34-4050	2	0.5	12.6	18.9	1.8	18	140	0.2	34
MR35HS34-4100	2	1	2.7	4.3	1.8				

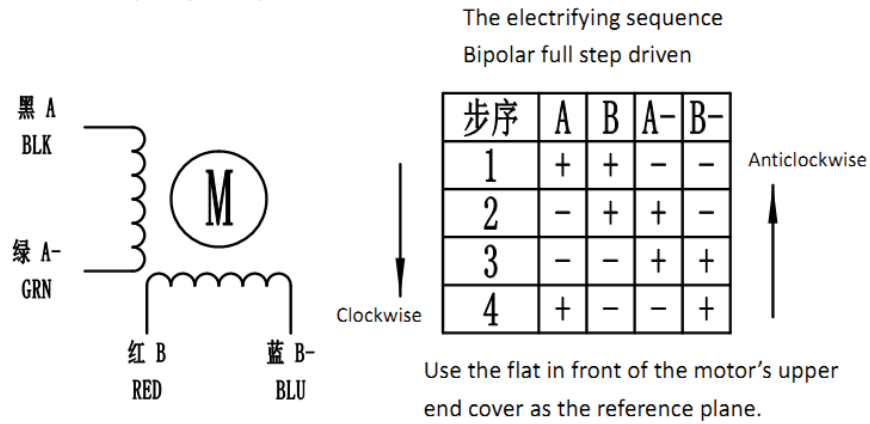
注：以上数据仅供参考，具体参数可根据要求定制。

Note: the above data are for reference only, and the specific parameters can be customized according to requirements.

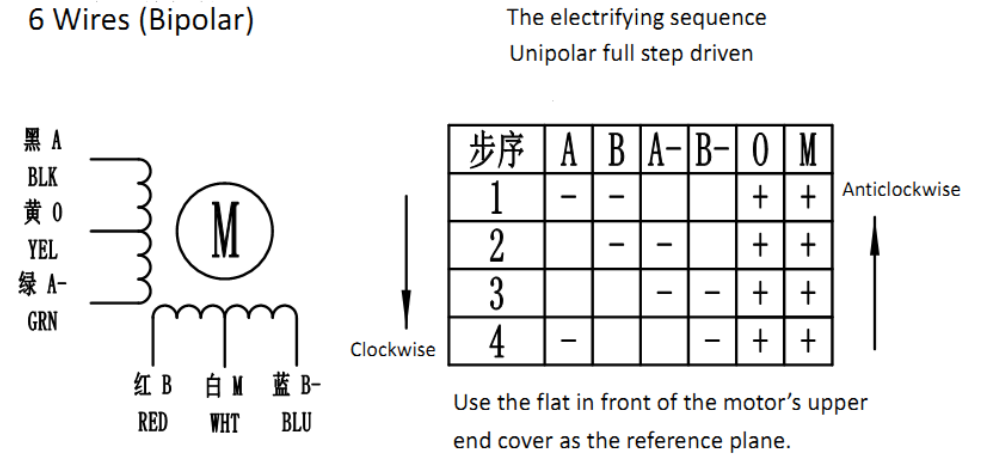
Wires Instruction

2 Phase Stepper Motor

4 Wires (Unipolar)



6 Wires (Bipolar)



4 Wires (Bipolar)

6 Wires (Unipolar)

Customized Service

- 1, The shaft can be customized based on customer's requirement of device connecting.
- 2, The coil winding and height of the motor can be customized based on customer's requirement about the torque, speed and others.
- 3, The wires can be customized, which includes lead, terminal of lead tape, socket and others



