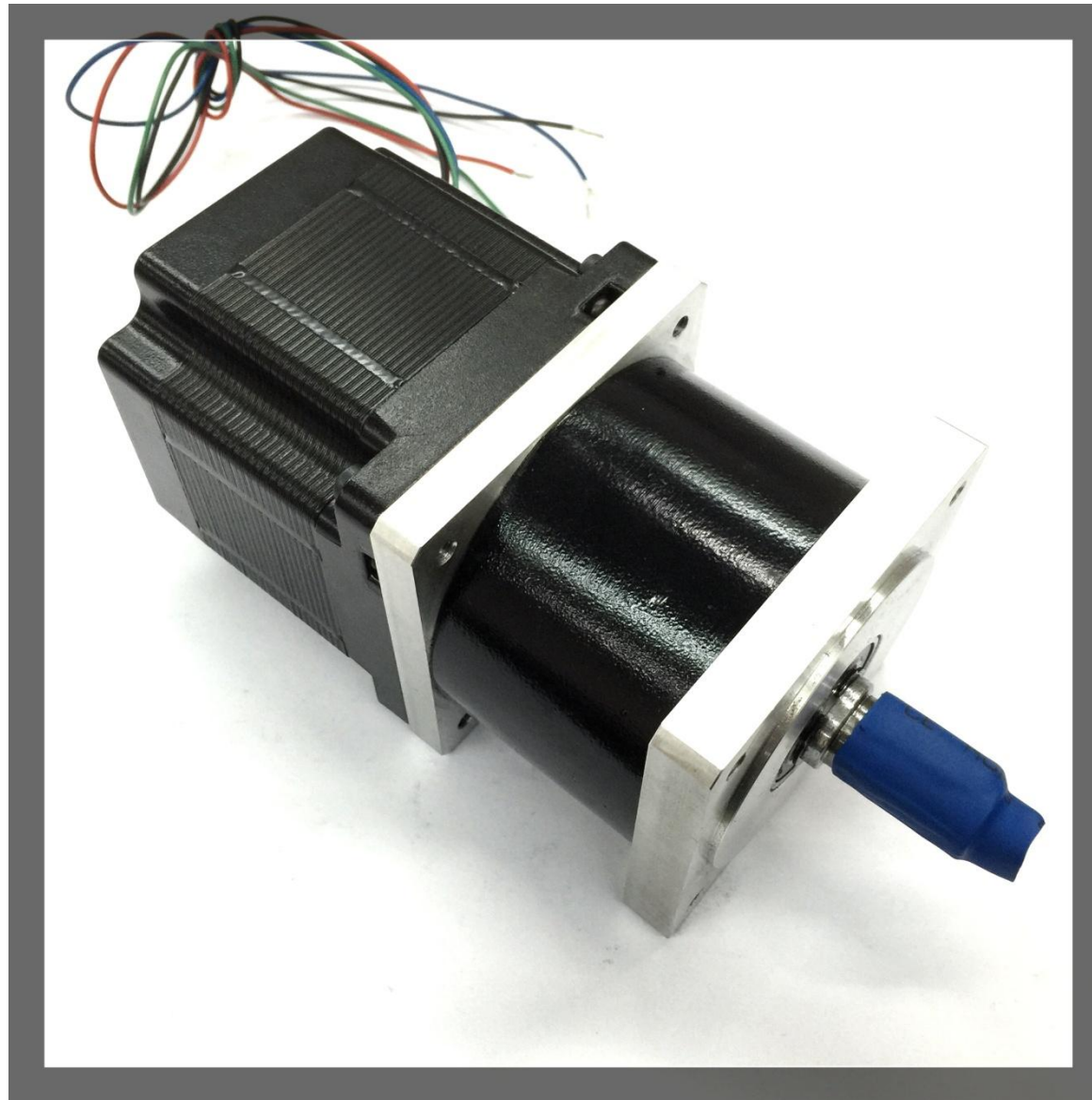


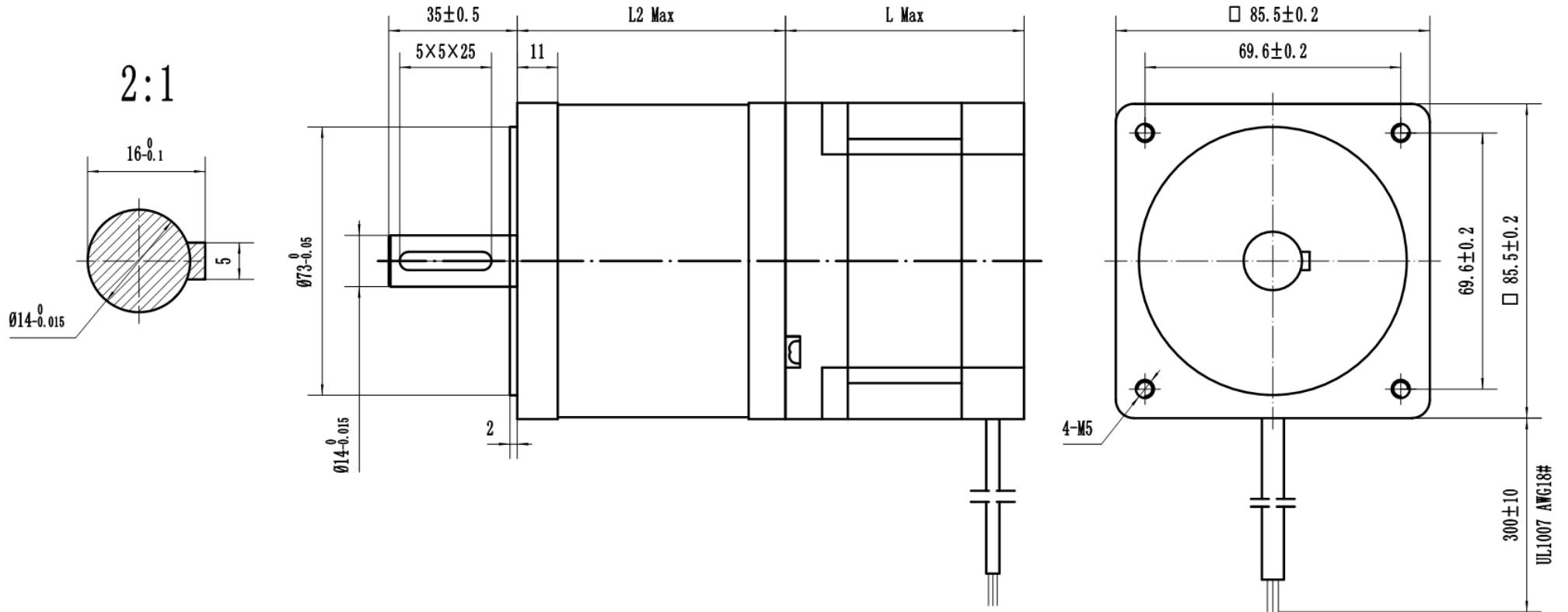
NEMA34 Hybrid Stepper Motor (1.8°) With 86mm High Precision Planetary Reducer



Technical Parameter of the 86mm High Precision Planetary Reducer

项目 Item		1级 (Level 1)	2级 (Level 2)
减速比The Gear Ratio	i	4、5、7、9、10	16、20、25、28、35、36、40、45、49、50、63、70、81、90、100
长度Length (L2)	mm	73	87
额定负载Edingfuzai	Nm	50	80
最大负载The Maximum Load	Nm	100	160
额定转速Rated Speed	rpm	3000	3000
最大转速Maximum Speed	rpm	5000	5000
效率Efficiency	%	96	94
回差Return Difference	arcmin	≤15	≤25
噪音Noise	dB	≤45	≤45
寿命Life	h	15000	15000
重量Weight	g	2000	2500

Drawing of the stepper motor



Size: mm

Technical Specification

型号 Model	线数 Wires	电流 Current	电阻 Resistance	电感 Inductance	保持转矩 Holding Torque	转动惯量 Rotor Inertia	定位力矩 Detent Torque	重量 Weight	机身长度 Length (L)
		A	Ω	mH	Kg. cm	$g. cm^2$	g. cm	Kg	mm
MR86HS76-4300	4	3	1.6	8.8	34	1400	1400	2.2	76
MR86HS76-4550	4	5.5	0.55	3	34				
MR86HS98-4300	4	3	1.6	15	65	1700	1900	2.7	98
MR86HS98-4550	4	5.5	0.68	3.8	60				

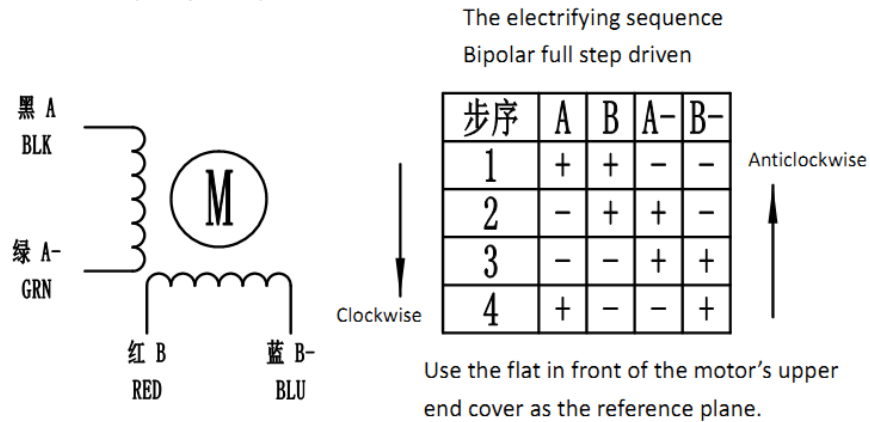
注：以上数据仅供参考，具体参数可根据要求定制。

Note: the above data are for reference only, and the specific parameters can be customized according to requirements.

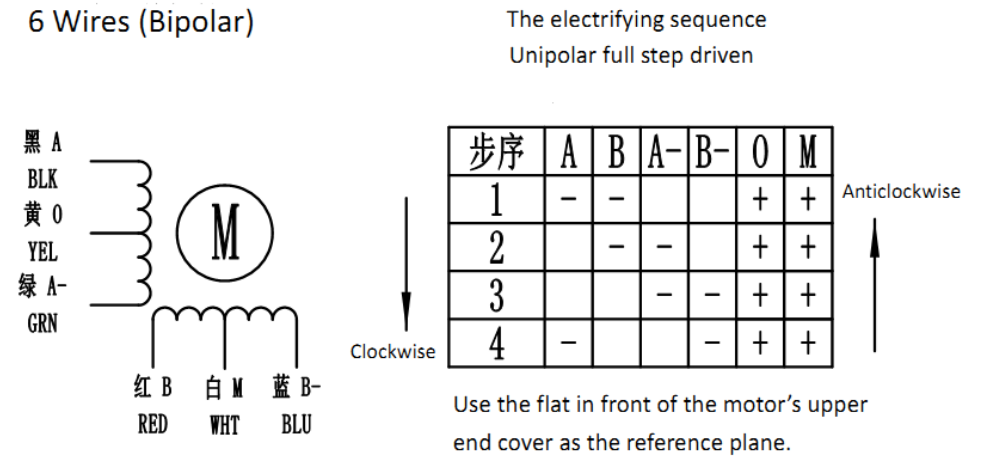
Wires Instruction

2 Phase Stepper Motor

4 Wires (Unipolar)



6 Wires (Bipolar)



4 Wires (Bipolar)

6 Wires (Unipolar)

Customized Service

- 1, The shaft can be customized based on customer's requirement of device connecting.
- 2, The coil winding and height of the motor can be customized based on customer's requirement about the torque, speed and others.
- 3, The wires can be customized, which includes lead, terminal of lead tape, socket and others

