

# Chilled Water Fan Coil Unit

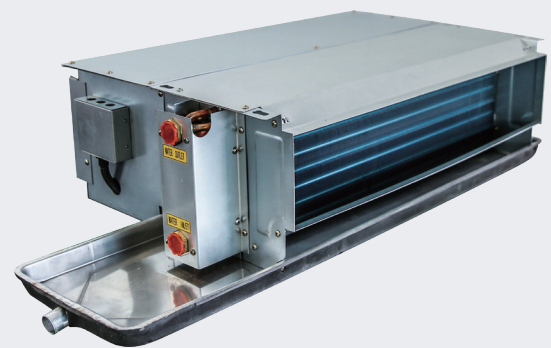
340m<sup>3</sup>/h-2380m<sup>3</sup>/h

## Application areas

- Bureaux, business building, superstore, hotel, hospital, bank, apartment and amusement place.

## Why this choice?

- Install type: horizontal concealed/exposed type and vertical concealed/exposed type
- External static pressure 12pa, 30pa and 50pa can be choosed
- Airfoil ABS wind wheel with high efficiency and U type bend pipe design



## Characteristics

### Efficient and energy saving

Efficient ABS blower which is light weighted while statically and dynamically balanced.

Excellent thinwall copper tube and efficient hydrophilic aluminum fin are under water pressure bonded treatment. Patent inverse crossing circuit to reach the best heat transfer efficiency. Brass water distributor is used for improving water flow distribution, in order to provide better heat transfer effect.

### Quiet operation

Low noise and permanent capacity motor, unique ABS centrifugal blower, all of them pass dynamically balance test, to ensure unit operate quietly and efficiently.

3-speed motor, ball bearing, long lifespan; rubber vibration isolator reduces operation noise.

### Stable and reliable

U-shaped tube bending, reducing soldered dot and leakage point.

Drain pan is made of high grade stainless steel plate, modeling processing; surface has been under hot dipped electroforming painting treatment. 7mm PE thermal insulation foam is applied on the drain pan to prevent condensation and leakage from occurring. Furthermore the width and length of the drain pan has been specifically designed to accommodate the water drop from the water inlet/outlet and electrically operated valve. There is fuse in power supply inlet side to prevent motor burned because of wrong wiring. Reliable and stable motor which enjoys good reputation in the market.

### Different models

- Static pressure: 12Pa, 30Pa, 50Pa.
- Fan coil unit series: horizontal exposed type, horizontal concealed type, vertical concealed type, vertical exposed type, cassette type, large air volume FCU.
- Accessories: 3-speed switch, return air box, extended drain pan, electronic two-way valve, electrical heater, air cleansing module. All above are for your selection.

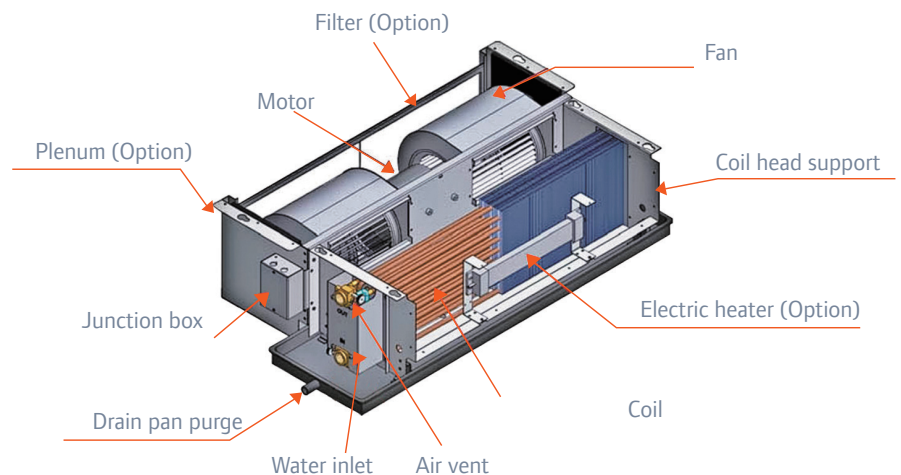


## Technical Data (Ceiling Concealed Type)

Model		34WA	51WA	68WA	85WA	102WA	136WA	170WA	204WA	238WA	
Rated air volume m <sup>3</sup> /h	H	340	510	680	850	1020	1360	1700	2040	2380	
	M	255	383	510	638	765	1020	1275	1530	1785	
	L	170	255	340	425	510	680	850	1020	1190	
Rated cooling capacity W	H	1800	2700	3600	4500	5400	7200	9000	10800	12600	
	M	1440	2160	2880	3600	4320	5760	7200	8640	10080	
	L	1170	1755	2340	2925	3510	4680	5850	7020	8190	
Rated heating capacity W	H	2700	4050	5400	6750	8100	10800	13500	16200	18900	
	M	2160	3240	4320	5400	6480	8640	10800	12960	15120	
	L	1755	2633	3510	4388	5265	7020	8775	10530	12285	
Input power W	12Pa	H	37	52	62	76	86	134	152	189	228
	30Pa	H	44	59	72	87	100	156	174	212	253
	50Pa	H	49	66	84	100	108	174	210	250	300
Noise dB(A)	12Pa	H	37	39	41	43	45	46	48	50	52
	30Pa	H	40	42	44	46	47	48	50	52	54
	50Pa	H	42	44	46	47	49	50	52	54	56
Water volume kg/h			390	550	700	820	910	1340	1590	1800	2070
Water pressure loss kPa			≤30	≤30	≤30	≤30	≤40	≤40	≤40	≤40	≤50
Weight kg	Without plenum box		12.5	14	14	15.5	16.5	22.5	30	33	33.5
	With plenum box		14.5	16	17	19.5	20.5	27.5	35	38	39.5
Motor	Type	E class insulation, permanent capacitor, 3 speed fan									
	Qty		1	1	1	1	1	2	2	2	3
Fan	Type	Double inlet, forward curve, multi blades, centrifugal fan									
	Type		1	2	2	2	2	3	4	4	4
Water connection pipe		3/4" (DN20)									
Condensed water pipe		3/4" (DN20)									
Max working pressure		1.6MPa									
Power supply		AC 220V/50Hz									

Note:

1. Cooling capacity is based on air inlet temperature 27°C DB/19.5°C WB, entering water temperature 7°C,  $\Delta T5^\circ\text{C}$ .
2. Heating capacity is based on air inlet temperature 21°C, entering water temperature 60°C, air flow volume and water flow rate are the same with cooling mode.
3. MPT-Mole pipe thread, FPT-Female pipe thread.
4. ESP for C and F series is 0Pa.
5. For FVE, FVC series, there is no Model 140; the performance parameters of FVE and FVC are the same with FHC.
6. Specifications in this catalog are subject to change without notice.



## Technical Data (Cassette Type)

Model		34KM	51KM	68KM	85KM	102KM	136KM	170KM	204KM	238KM
Air flow [m <sup>3</sup> /h]	H	340	510	680	850	1020	1360	1700	2040	2380
	M	280	390	520	640	790	1030	1290	1500	1800
	L	180	260	350	430	520	690	860	1030	1200
Total cooling capacity * [W]	H	2000	3000	3700	5000	5600	7300	9900	11000	12800
Heating capacity * [W]	H	3000	4800	5500	7200	8200	10800	14500	16800	19200
Fan motor										
Nominal power input	W	37	52	62	76	96	132	152	189	220
Nominal current input	A	0.162	0.23	0.276	0.338	0.417	0.588	0.663	0.824	0.976
Water flow rate	m <sup>3</sup> /h	0.42	0.522	0.62	0.86	0.98	1.22	1.58	1.92	2.2
Water pressure drop	kPa	14	14	16	18	22	25	39	44	44
Water connections	inch	ZG 3/4"								
Drain pipe	mm	26								
Sound pressure level ** [dB(A)]	H	37	39	41	43	45	46	47	50	52
	M	34	36	38	39	42	43	44	46	48
	L	30	32	35	36	38	39	40	42	44
Net Dimension W/D/H mm	Unit	580*580*290			710*710*290			832*832*290		
	Panel	680*680*30			830*830*30			980*980*30		
Power supply	/	220V/1Ph/50Hz								
Net weight kg	Unit	25	25	26	28	29	29	36	38	38
	Panel	2.5			4			5		

\* The data are referred to the following conditions:

Cooling: room temperature: 27 °C, DB / 19.5 °C WB; water temperature: 7/12 °C, high speed.

Heating: room temperature: 21 °C, water inlet temperature: 70 °C, high speed. Water flow rate same as in cooling operation.

\*\* Sound pressure measured in anechoic room 1.5 m away from the unit.

