



LED Gas Station Light BRIGHTEN YOUR LIFE

NEW LED TECHNOLOGY THAT ALLOWS THE
COEXISTENCE OF ENVIRONMENTAL
PROTECTION AND ENERGY SAVING

Benefits

1. External UL listed power supply.
2. Replace conventional Gas Station Lights.
3. Precision Die Cast Aluminum Heat Sinks.
4. Fade Resistant Powder Coat Finish.
5. Easy Installation.
6. CE ROHS ETL listed.



BB-CSD-XXX-B2

Features

1. Aluminum die-casting heat sinks is good for heat dissipation.
2. It's major to replace the conventional gas station light.
3. Green, energy saving, long and reliable life of 50,000 hours.
4. No RF interference, No IR/UV radiation ,no mercury pollution.
5. Wide colour availability in degrees Kelvin(K),2700-6700K.
6. Streamline exterior design, beautiful appearance.
7. Environment friendly ,energy saving (70~80%).
8. Special circuit design, each LED work separately, avoiding the single broken LED influence problem.



SMD LED



Aluminum die-casting heat sinks and plastic shell



External-UL listed Power Supply

Application

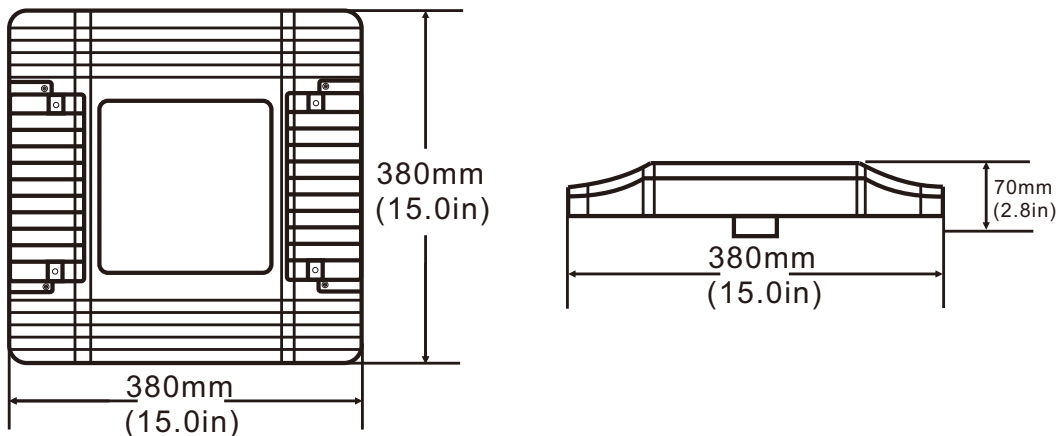
1. Gas station lighting.
2. Petroleum canopies lighting.
3. CNG fueling stations lighting.
4. Low-medium bay general lighting.
5. Soffits lighting.



SPECIFICATIONS

Power	60W	100W	130W	150W
Model	BB-CSD-60W-B2	BB-CSD-100W-B2	BB-CSD-130W-B2	BB-CSD-150W-B2
Luminous Flux	7800lm	13000lm	16900lm	19500lm
Replacement	MH 250W	MH 300W	MH 400W	MH 600W
Light Source	SMD LED			
Luminous Efficacy	130lm/w			
Operation Temp.	-40 to +45°C			
CCT	3000K WW / 4100K NW / 5000K DW / 5700K CW			
CRI	70+			
Life Span	50,000 hours at 25°C			
Voltage	100-277VAC/50-60Hz 200-480VAC/50-60Hz Available			
Driver	External-UL listed power supply			
Dimming	Available			
Sensor	Motion sensor available,the default is no motion sensor.			
Cover	Drop lens			
Beam Angle	120°			
IP	65			
PF	>0.95			
Warranty	5 Years			

DIMENSIONAL DRAWING



PROJECTS

By using our 130W Gas Station Light to replace 400W Metal Halide bulb for traditional petrol station lighting in world filling station ,the customer is now able to save a lot per month from his electric bill.



Replace



130W LED = 400W MH

Note:

- Don't take the LED lamp apart.
- The LED lamp must work under the right voltage according to the specification.

PACKING INFO



Packaging	Dimensions (L*W*H)	N.W	G.W	Volume weight
2pcs/Box	540*230*435mm	8.0kg	9.0kg	12.5kg
4pcs/Box	540*375*435mm	16.0kg	17.0kg	20.0kg