

LED Wallpack Light BRIGHTEN YOUR LIFE

NEW LED TECHNOLOGY THAT ALLOWS THE
COEXISTENCE OF ENVIRONMENTAL
PROTECTION AND ENERGY SAVING

Benefits

1. Replace conventional Flood Lights
2. Precision Die Cast Aluminum Housing
3. Fade Resistant Powder Coat Finish
4. Easy Installation
5. CE ROHS listed



BB-RSD-XXX-C

Features

1. Aluminum die-casting heat sinks is good for heat dissipation.
2. It's major to replace the conventional wallpack light.
3. Green, energy saving, long and reliable life of 50,000 hours.
4. No RF interference, No IR/UV radiation ,no mercury pollution.
5. Wide colour availability in degrees Kelvin(K),2700-6700K.
6. Streamline exterior design, beautiful appearance.
7. Environment friendly ,energy saving (70~80%).
8. Special circuit design, each LED work separately, avoiding the single broken LED influence problem.



Application

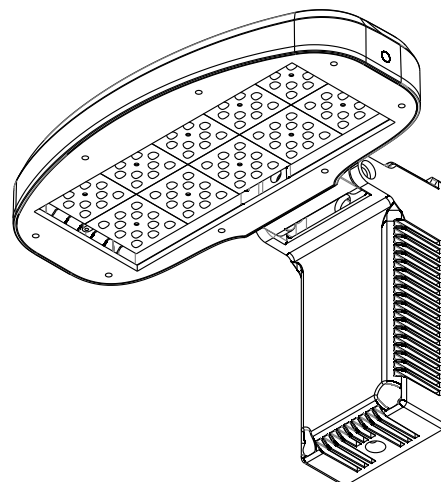
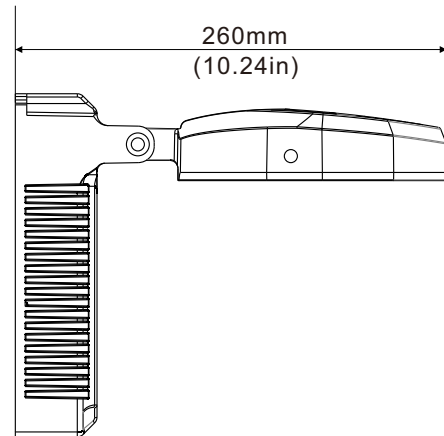
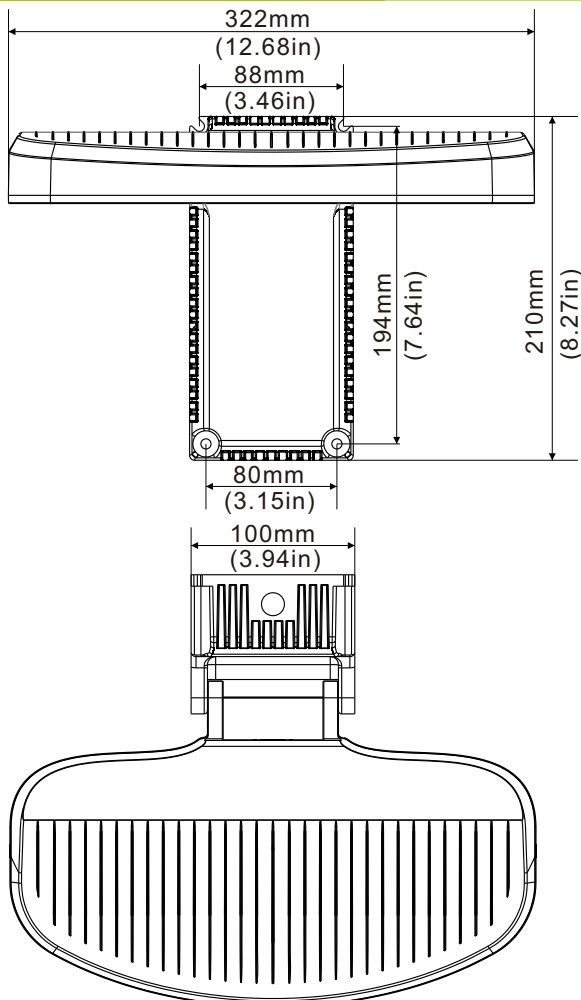
1. Parking lot Lighting.
2. Garden yard Lighting.
3. Outdoor Building Lighting.
4. High/Low Bay Lighting.



SPECIFICATIONS

Power	40W	60W	80W	100W
Model	BB-RSD-40W-C	BB-RSD-60W-C	BB-RSD-80W-C	BB-RSD-100W-C
Luminous Flux	4800lm	7200lm	9600lm	12000lm
Replacement	MH 100W	MH 175W	MH 250W	MH 300W
Light Source	SMD LED			
Luminous Efficacy	120lm/w			
Operation Temp.	-40 to +45°C			
CCT	2700K SW / 3000K WW / 4100K NW / 5000K DW / 5700K CW			
CRI	80			
Life Span	50,000 hours at 25°C			
Voltage	100-277VAC/50-60HZ 200-480VAC/50-60HZ Available			
Driver	UL listed power supply			
Sensor	Microwave sensor Daily sensor available			
Beam Angle	30°C 60°C 90°C 120°C TypeII TypeIII			
PF	>0.95			
Warranty	3Years			

DIMENSIONAL DRAWING



PROJECTS

By using our 100W Wallpack Light to replace 300W High Pressure Sodium Lamp fixture for outdoor parking lot lighting, the customer is now able to save a lot per month from his electric bill.



Replace



100W LED = 300W MH

Note:

- Don't take the LED lamp apart.
- The LED lamp must work under the right voltage according to the specification.

PACKING INFO



Item	Packaging	Dimensions (L*W*H)	N.W	G.W	Volume weight
40W-100W	1pc/Box	300*200*200mm	3.5kg	4.5kg	3.5kg