



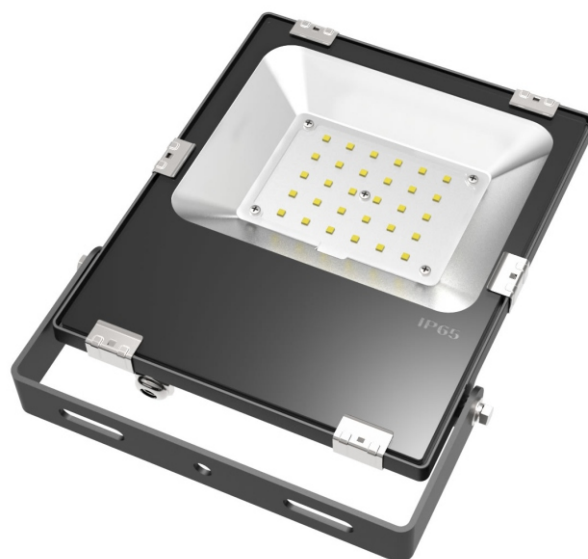
# LED Flood Light

## BRIGHTEN YOUR LIFE

NEW LED TECHNOLOGY THAT ALLOWS THE  
COEXISTENCE OF ENVIRONMENTAL  
PROTECTION AND ENERGY SAVING

### Benefits

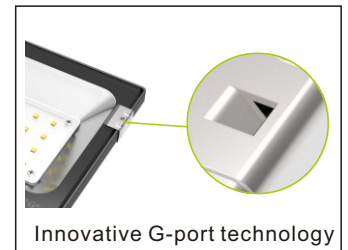
1. Replace conventional Flood Lights
2. Precision Die Cast Aluminum Housing
3. Fade Resistant Powder Coat Finish
4. Easy Installation
5. CE ROHS listed



BB-FL-XXX-E

## Features

1. Beam angle:120 degrees.
2. Aluminum die-casting heat sinks is good for heat dissipation.
3. It's major to replace the conventiona flood light.
4. Green, energy saving, long and reliable life of 50,000 hours.
5. No RF interference, No IR/UV radiation ,no mercury pollution.
6. Wide colour availability in degrees Kelvin(K),2700-6700K.
7. Streamline exterior design, beautiful appearance.
8. Environment friendly ,energy saving (70~80%).
9. Special circuit design, each LED work separately, avoiding the single broken LED influence problem.



## Application

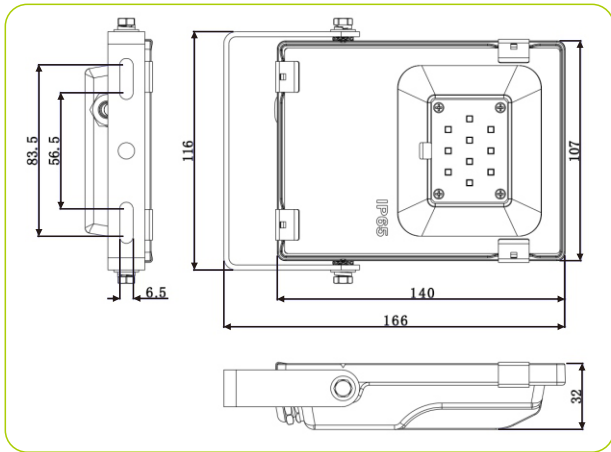
1. Stadiums Lighting.
2. Building Exterior Lighting.
3. Amusement Park Lighting.
4. Airport Lighting.
5. Bridge Lighting.
6. Tunnel Lighting.



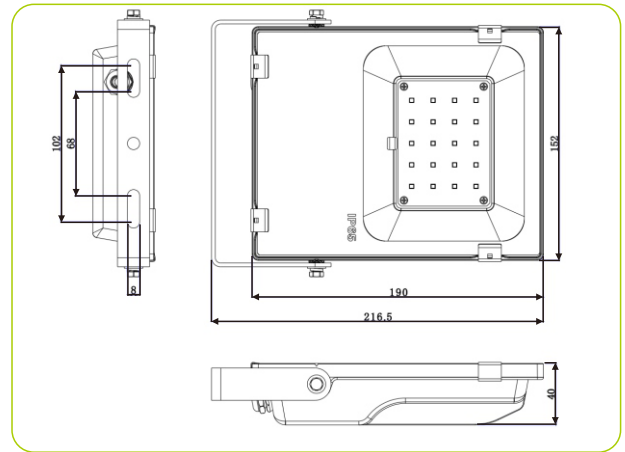
# SPECIFICATIONS

Power	10W	20W	30W	50W	70W	100W	150W	200W
Model	BB-FL-10W-E	BB-FL-20W-E	BB-FL-30W-E	BB-FL-50W-E	BB-FL-70W-E	BB-FL-100W-E	BB-FL-150W-E	BB-FL-200W-E
Luminous Flux	1200lm	2400lm	3600lm	6000lm	8400lm	12000lm	18000lm	24000lm
Replacement	MH 30W	MH 50W	MH 100W	MH 200W	MH 250W	HPS 300W	MH 400W	MH 500W
Light Source	SMD LED							
Operation Temp.	-40 to +45°C							
CCT	2700K SW / 3000K WW / 4100K NW / 5000K DW / 5700K CW							
CRI	80							
Life Span	50,000 hours at 25°C							
Voltage	100-277VAC/50-60HZ							
Driver	UL listed power supply							
Beam Angle	120°							
Cover	Black							
IP	65							
PF	>0.95							
Warranty	5Years							

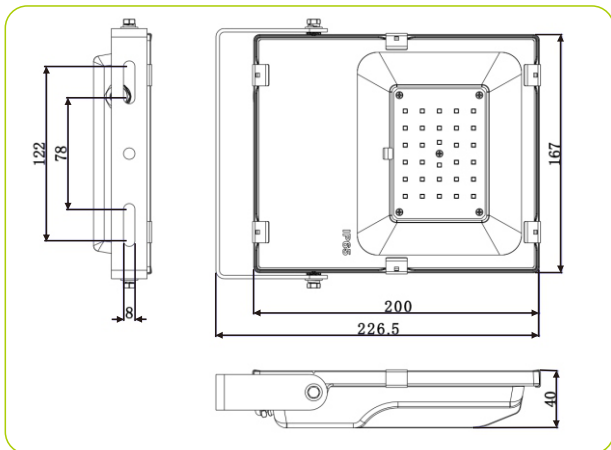
# DIMENSIONAL DRAWING



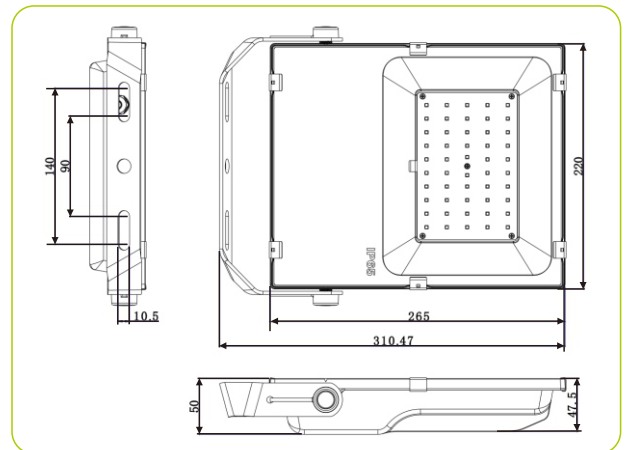
10W



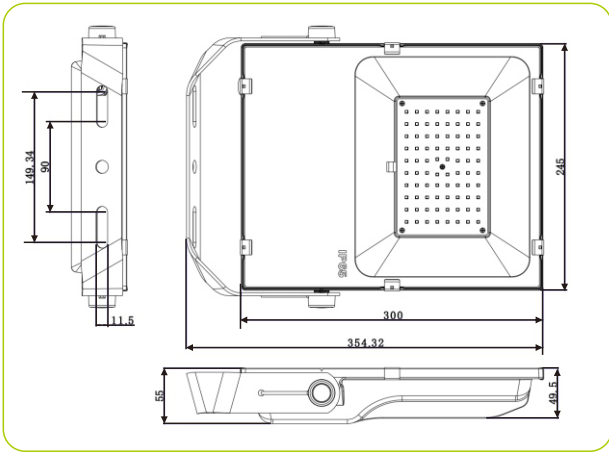
20W



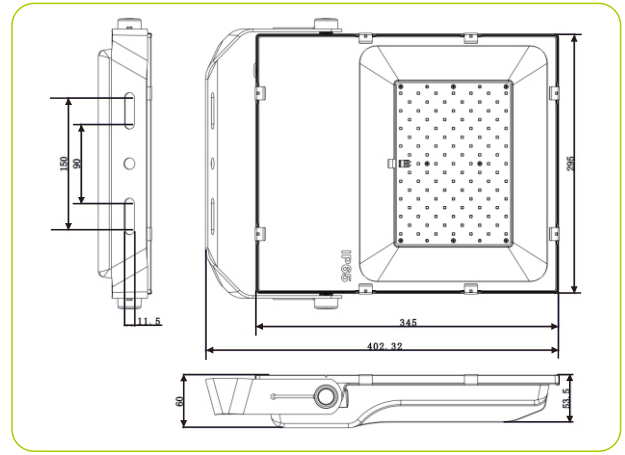
30W



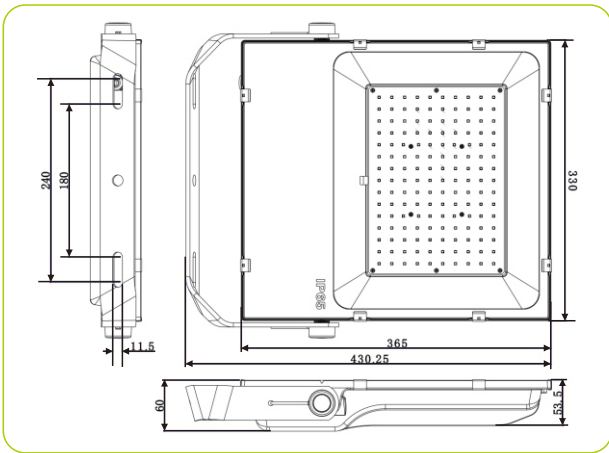
50W



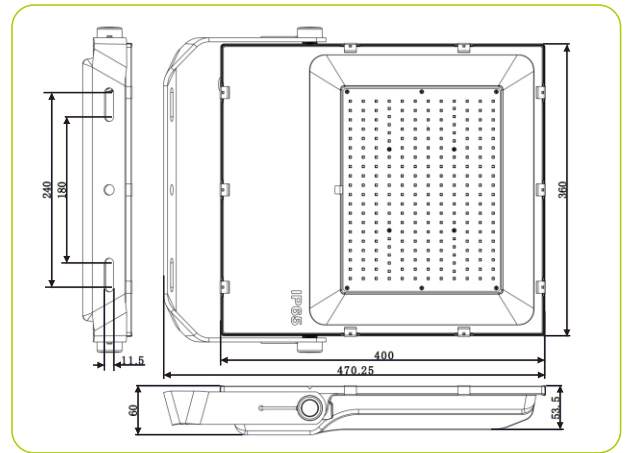
70W



100W



150W



200W

## PROJECTS

By using our 100W Flood Light to replace 300W Metal Halide bulb for Stadiums lighting fixtures, the customer is now able to save a lot per month from his electric bill.



Replace

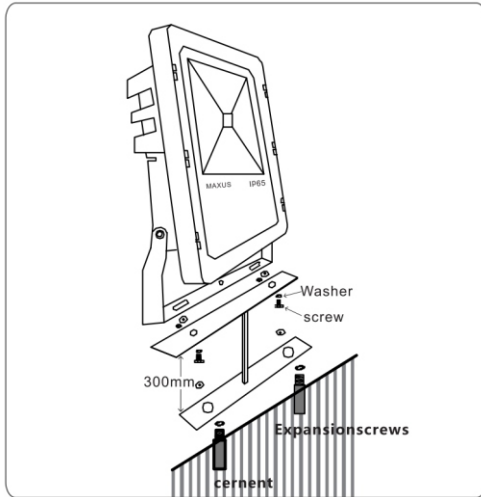


**100W LED = 300W MH**

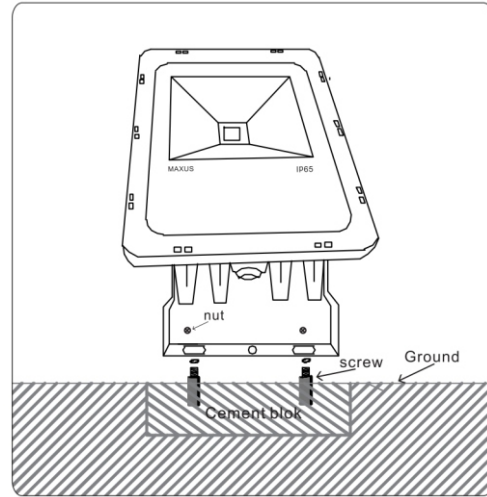
### Note:

- Don't take the LED lamp apart.
- The LED lamp must work under the right voltage according to the specification.

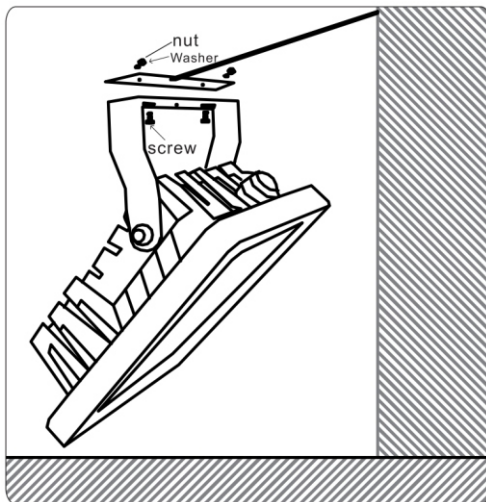
# INSTALLATION



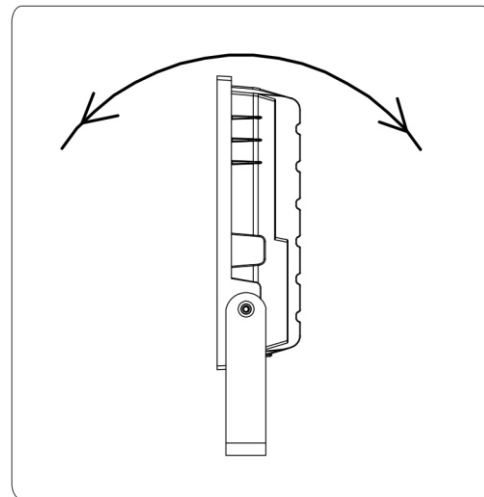
1. Install the lamp by the stand on the ground.



2. Install lamp directly.



3. Hang the lamp by the stand.



4. The angle of the lamp is adjustable.

# PACKING INFO



Packaging	Carton Size(mm) (L*W*H)	N.W	G.W	Volume weight
36pcs/CTN(10W)	415*425*255mm	18.0kg	28.8kg	10.5kg
20pcs/CTN(20W)	515*380*260mm	20.0kg	24.0kg	11.8kg
20pcs/CTN(30W)	535*405*260mm	30.0kg	36.0kg	12.9kg
8pcs/CTN(50W)	530*365*255mm	16.0kg	17.6kg	11.3kg
1pc/CTN(70W)	435*340*130mm	3.0kg	3.2kg	5.0kg
1pc/CTN(100W)	480*390*135mm	4.0kg	4.4kg	6.2kg
1pc/CTN(150W)	510*430*135mm	5.3kg	5.8kg	7.2kg
1pc/CTN(200W)	555*460*135mm	6.0kg	6.5kg	8.2kg