



UFO LED Highbay Light

BRIGHTEN YOUR LIFE

NEW LED TECHNOLOGY THAT ALLOWS THE
COEXISTENCE OF ENVIRONMENTAL
PROTECTION AND ENERGY SAVING

Benefits

1. Replace conventional Highbay Lights.
2. Precision Die Cast Aluminum Housing.
3. Fade Resistant Powder Coat Finish.
4. Easy Installation.
5. CE ROHS listed.
6. With a microwave sensor.



Intertek
4010207



BB-GKD-XXX-E3

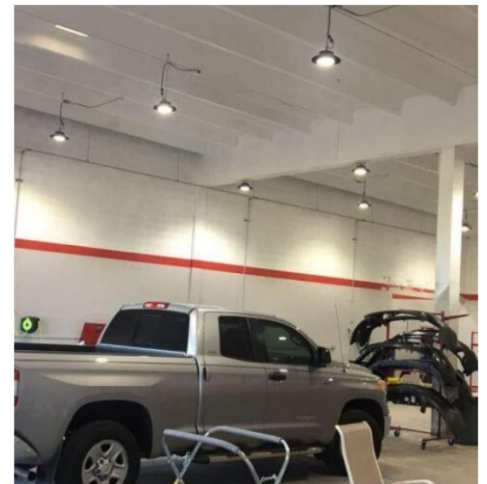
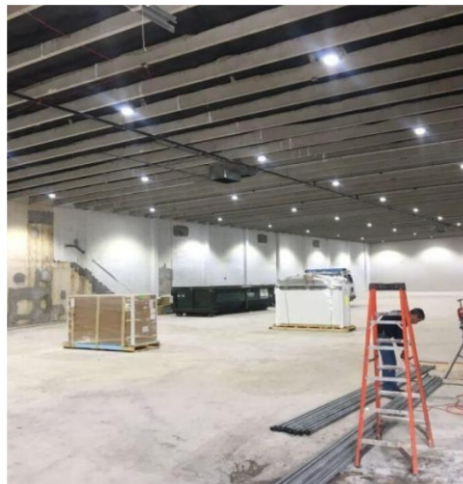
Features

1. Beam angle:60 90 130 degrees.
2. Aluminum die-casting heat sinks is good for heat dissipation.
3. It's major to replace the conventiona highbay light.
4. Green, energy saving, long and reliable life of 50,000 hours.
5. No RF interference, No IR/UV radiation ,no mercury pollution.
6. Wide colour availability in degrees Kelvin(K),2700-6700K.
7. Streamline exterior design, beautiful appearance.
8. Environment friendly ,energy saving (70~80%).
9. Special circuit design, each LED work separately, avoiding the single broken LED influence problem.



Application

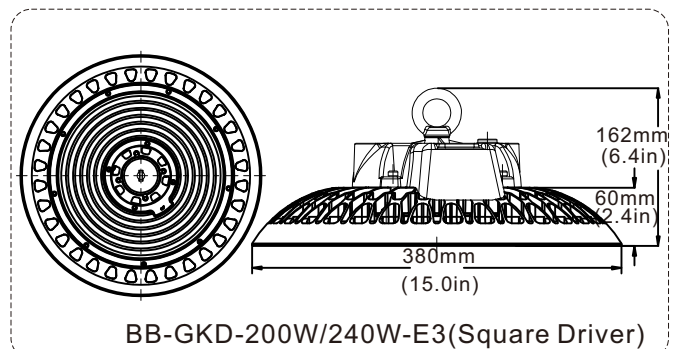
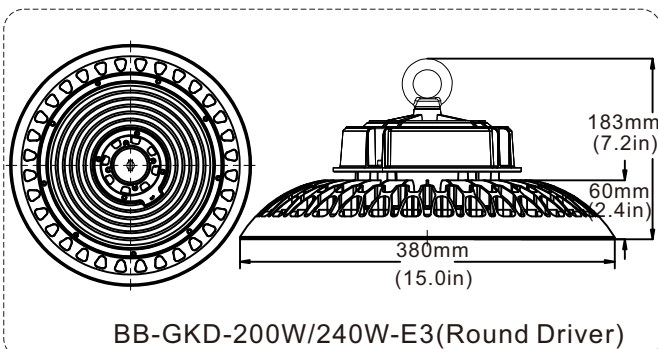
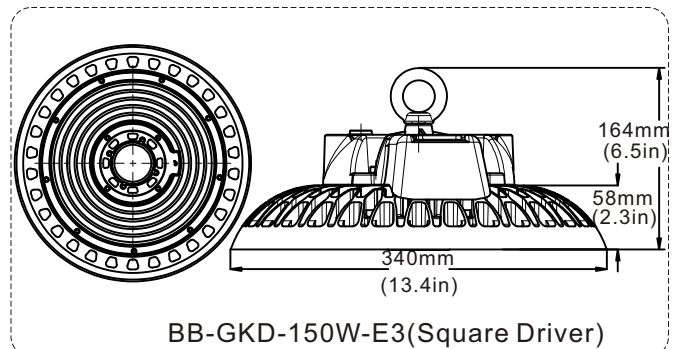
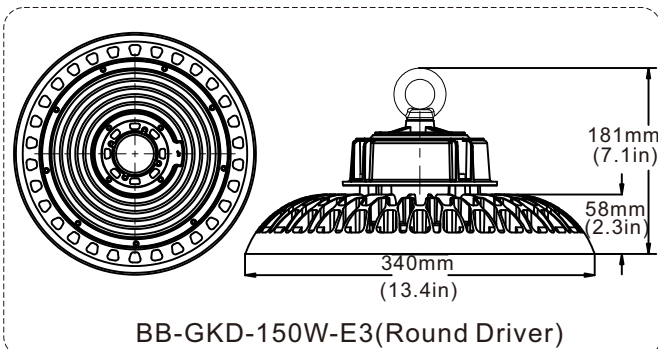
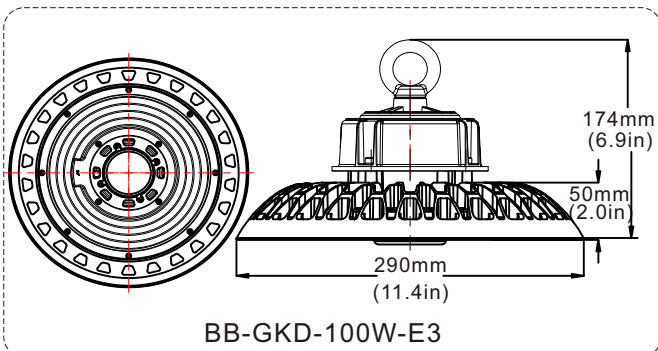
1. Parking areas Lighting.
2. Ceiling Lighting.
3. Warehouse Lighting.
4. High/Low Bay Lighting.



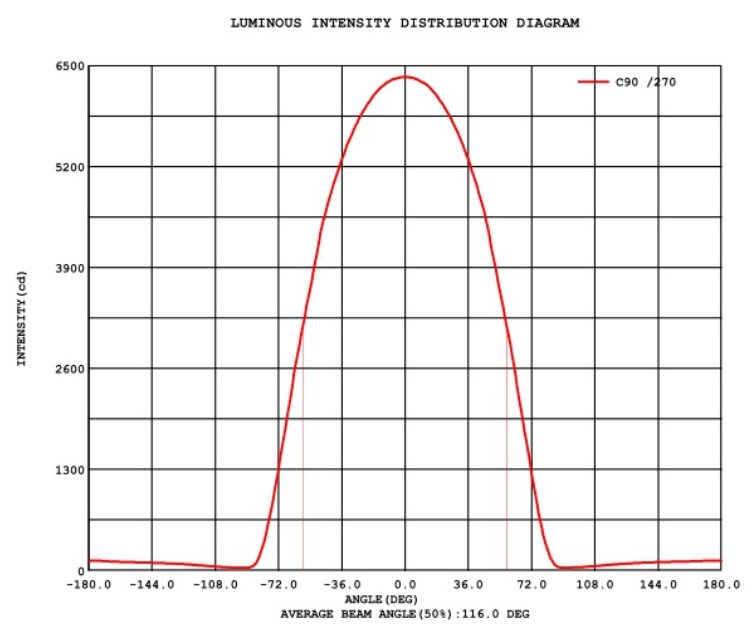
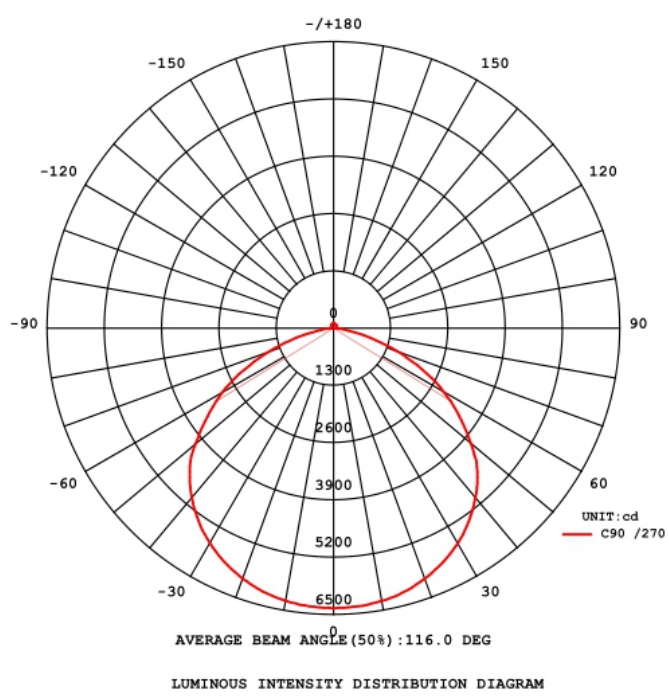
SPECIFICATIONS

Power	100W	150W	200W	240W
Model	BB-GKD-100W-E3	BB-GKD-150W-E3	BB-GKD-200W-E3	BB-GKD-240W-E3
Luminous Flux	13000lm	19500lm	26000lm	31200lm
Replacement	HPS 300W	HPS 400W	HPS 600W	HPS 800W
Model differences	Different installation accessories:A-Ring mounting;B-Bracket mounting			
Luminous Efficacy	SMD LED			
Luminous Efficacy	130lm/W			
Operation Temp.	-40 to +45°C			
CCT	2700K SW / 3000K WW / 4100K NW / 5000K DW / 5700K CW			
CRI	85			
Life Span	50,000 hours at 25°C			
Voltage	100-277VAC/50-60HZ			
Driver	UL listed power supply			
Dimming	Dimmable			
Sensor	Microwave sensor			
Control System	APP, remote control, touch screen, light control and other control options available			
Beam Angle	60° 90° 130°			
Cover	Transparent Lens			
IP	65			
PF	>0.95			
Warranty	5Years			

DIMENSIONAL DRAWING



LUMINOUS INTENSITY DISTRIBUTION



PROJECTS

By using our 100W Highbay Light to replace 300W Metal Halide bulb for warehouse high bay lighting fixtures, the customer is now able to save a lot per month from his electric bill.



Replace
➔



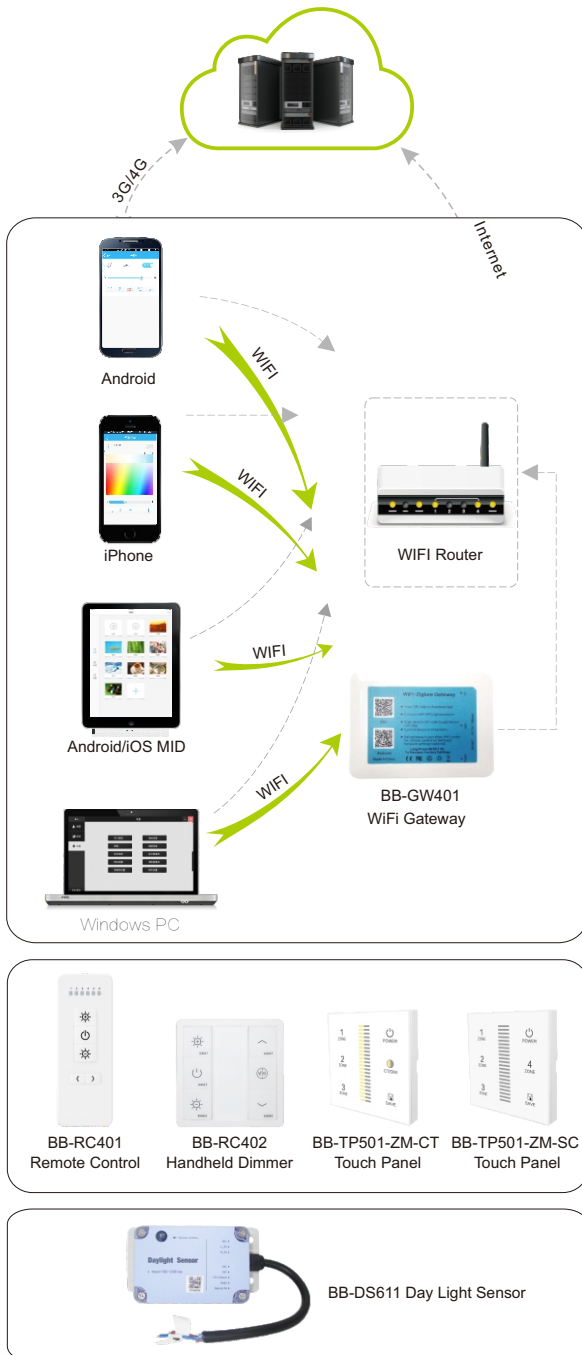
100W LED = 300W MH

Note:

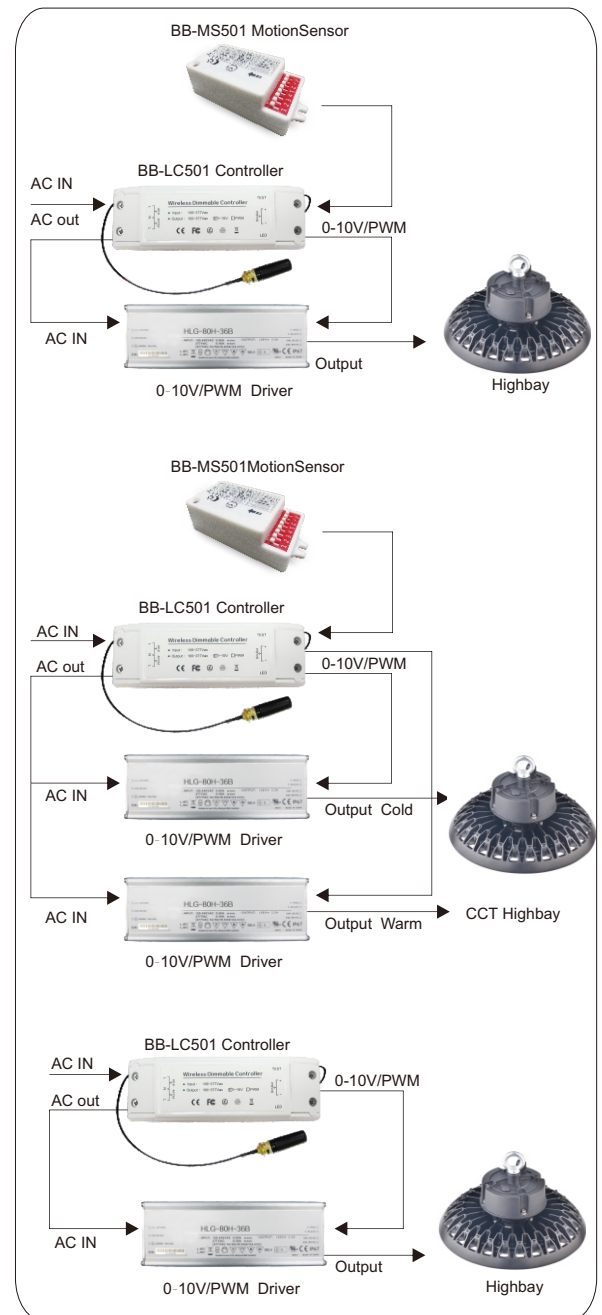
- Don't take the LED lamp apart.
- The LED lamp must work under the right voltage according to the specification.

Highbay Control System

- Support automatic luminance change with embedded daylight sensor.
- Support automatic CCT change with embedded temperature sensor for CCT light.
- Support more 500 devices control by one gateway, one app.
- Support frequency hopping technology for strong anti-jamming ability.
- Support mesh network, control range is more 50 meters.
- Support storage of 500 devices QRcodes in gateway.
- Support schedule settings for each device.
- Support above 10 mobile devices control on station mode.
- Support remotely control via internet on station mode.
- Support remote control/touch panel/handheld dimmer control as optional.
- Support scene/area/group control based on user preset.
- Support encryption transmission.
- Support iOS/Android/Windows app.
- Support Motion sensor



Control



Lighting

System Diagram

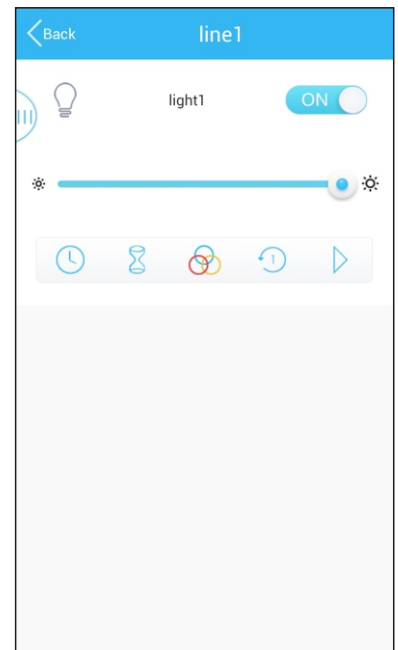
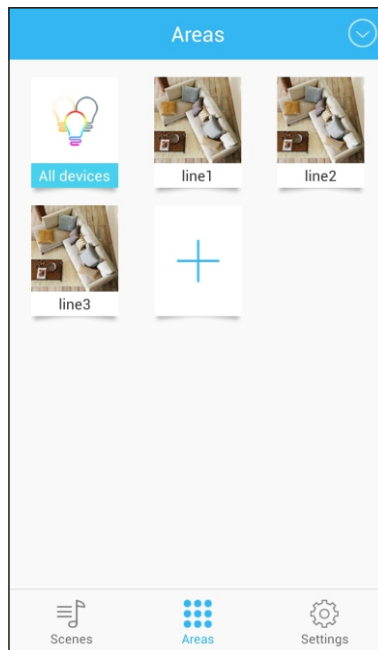
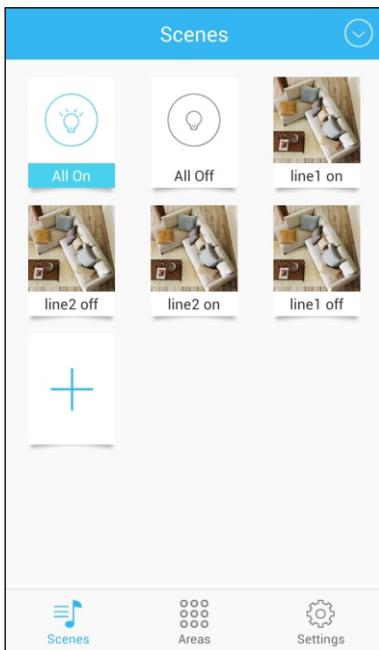
Parameters

Params	BB-GW501 WiFi- Zigbee Gateway	BB-RC402 Handheld Dimmer	BB-RC401 Remote Control	BB-TP501-ZM-CT Touch Panel
Input Voltage	5Vdc	5Vdc(Charge)	5Vdc(Charge)	110Vac-240Vac
Adapter	5V1A MicroUSB	5V1A MicroUSB	5V1A MicroUSB	—
Standby Current	—	10uA	10uA	—
Frequency	2.4G	2.4G	2.4G	2.4G
Control Range	50m	50m	50m	30m
Operating Temp	-20°C - 70°C	-20°C - 50°C	-20°C - 50°C	-20°C - 55°C

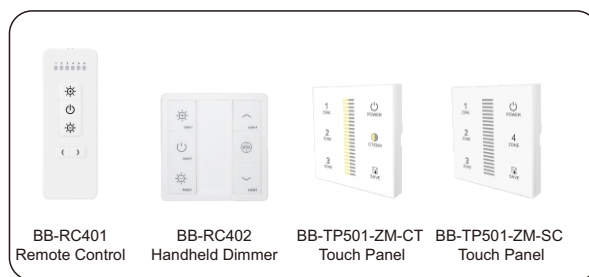
Params	BB-TP501-ZM-SC Touch Panel	BB-LC401 Daylight Sensor	BB-LC501Controller	BB-MS501_12 MotionSensor
Input Voltage	110Vac-240Vac	100-240Vac	100-240Vac	12Vdc
Adapter	—	—	0 - 10V	12Vdc
Standby Current	—	—	20mA	—
Frequency	2.4G	2.4GHz	2.4GHz	5.8GHz
Control Range	30m	50m	—	—
Operating Temp	-20°C - 55°C	-40°C - 85°C	-40°C - 85°C	-20°C - 60°C

iLightsIn Apps

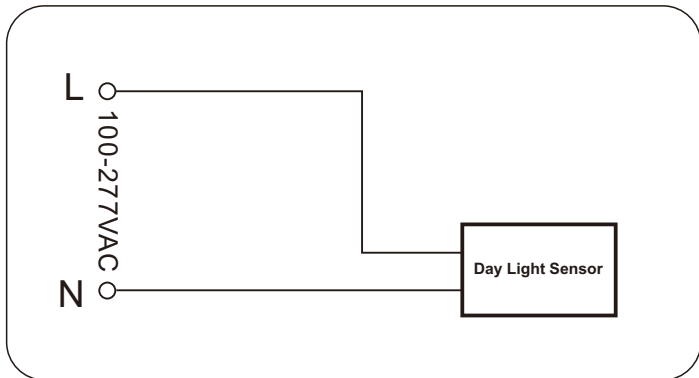
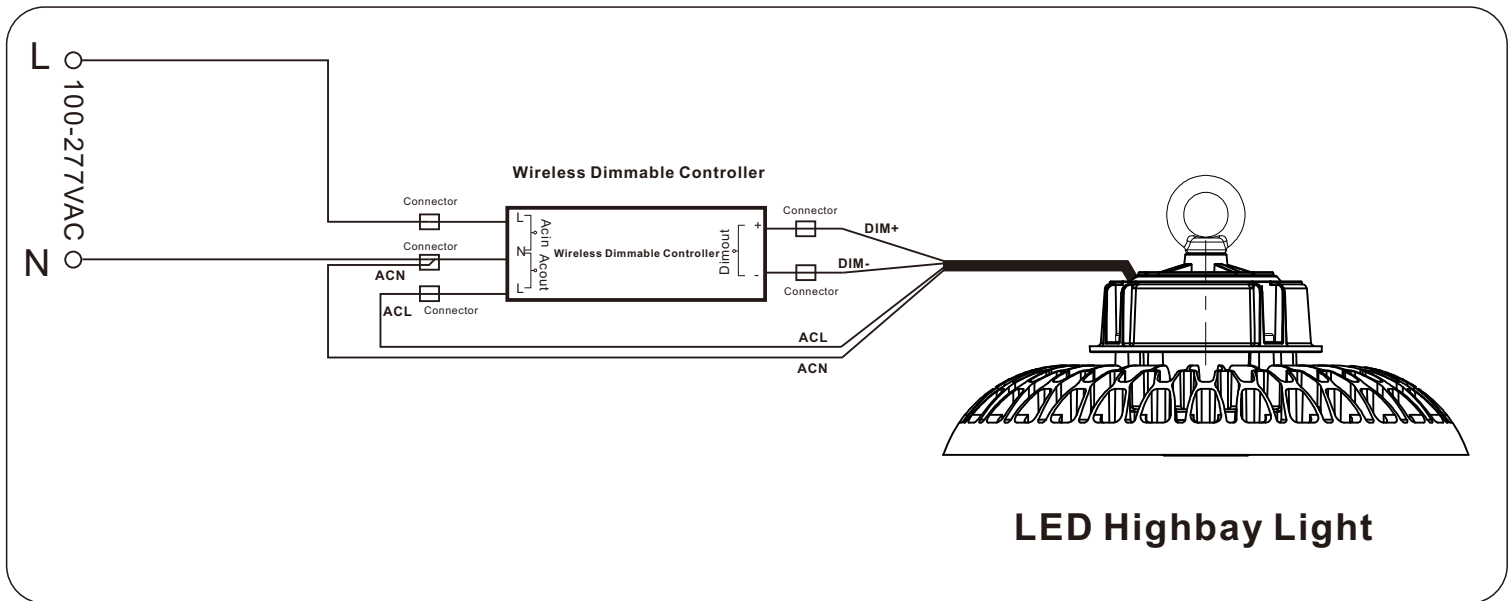
The Apps can download from Apple app market and Android app market by searching iLightsIn. Windows version is also ready.



Optional Accessories



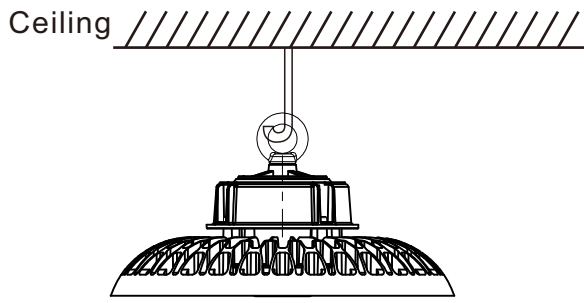
Wiring



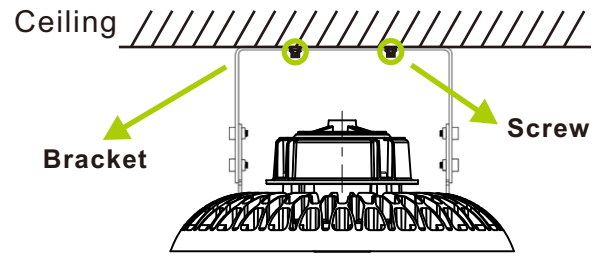
- * Only Wireless Dimmable Controller and Day Light Sensor must be wired in accordance with the above wiring.
- * WiFi Gateway and Touch Panel are energized through an adapter, respectively.

INSTALLATION

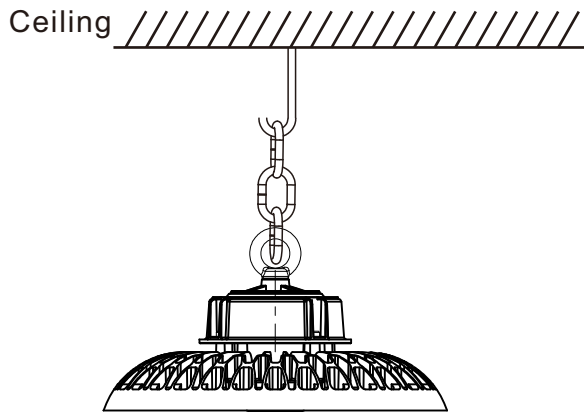
UFO LED Highbay Light has four kinds of installation:



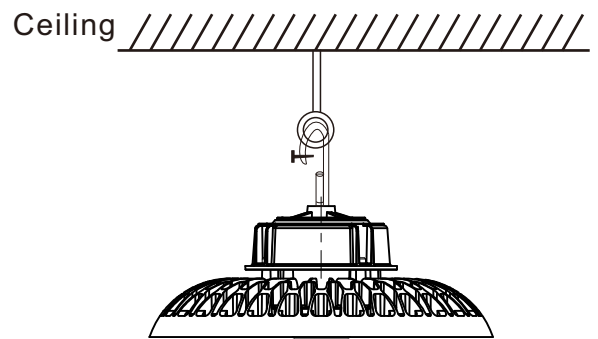
1. The suspension loop



2. Bracket type



3. Suspension chain



4. Hook hanger

PACKING INFO



Packaging	Carton Size(mm) (L*W*H)	N.W	G.W	Volume weight
1pc/CTN(100W)	360*360*165mm	1.3kg	1.8kg	5.34kg
1pc/CTN(150W)	410*410*175mm	2.0kg	2.5kg	7.21kg
1pc/CTN(200W &240W)	450*450*175mm	2.5kg	3.0kg	8.60kg