



LED SLIM WALL PACK LIGHT BRIGHTEN YOUR LIFE

NEW LED TECHNOLOGY THAT ALLOWS THE
COEXISTENCE OF ENVIRONMENTAL
PROTECTION AND ENERGY SAVING

Benefits

1. Replace conventional Lights
2. Precision De Cast Aluminum Housing
3. Durable Chip and Fade Resistant Powder Coat Finish
4. Easy Installation
5. ETL CETL CE ROHS listed



BB-RSD-XXX-C

Features

1. Beam angle:120 degrees.
2. Aluminum die-casting heat sinks is good for heat dissipation.
3. It's major to replace the CFL/MH/HID/HPS.
4. Green, energy saving, long and reliable life of 50,000 hours.
5. No RF interference, No IR/UV radiation ,no mercury pollution.
6. Wide colour availability in degrees Kelvin(K),2700-6700K.
7. Streamline exterior design, beautiful appearance.
8. Environment friendly ,energy saving (70~80%).
9. Special circuit design, each LED work separately,
avoiding the single broken LED influence problem.



Application

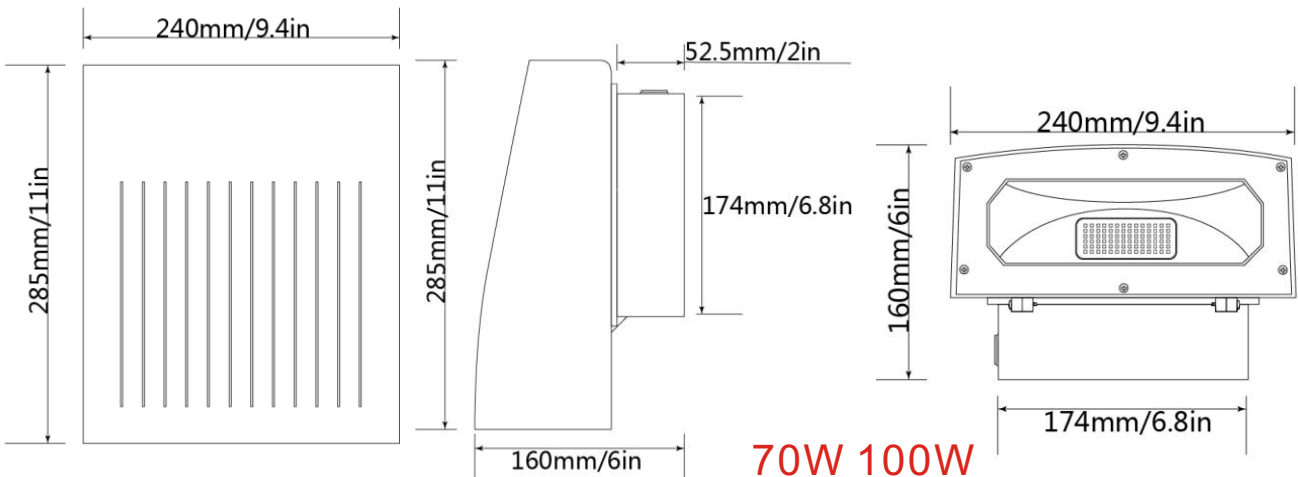
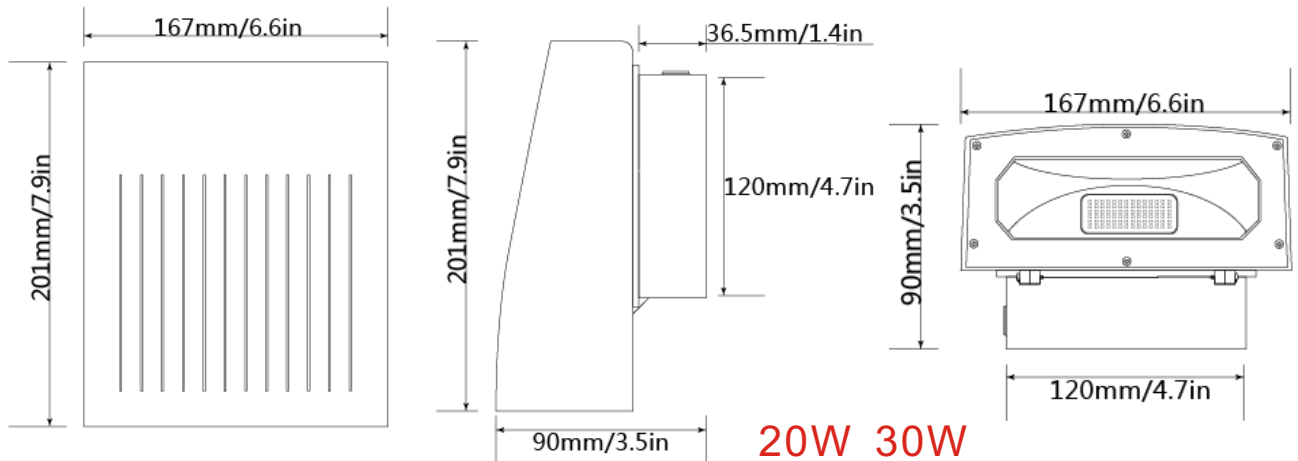
1. Parking lot Lighting.
2. Garden yard Lighting.
3. Outdoor Building Lighting.
4. High/Low Bay Lighting.



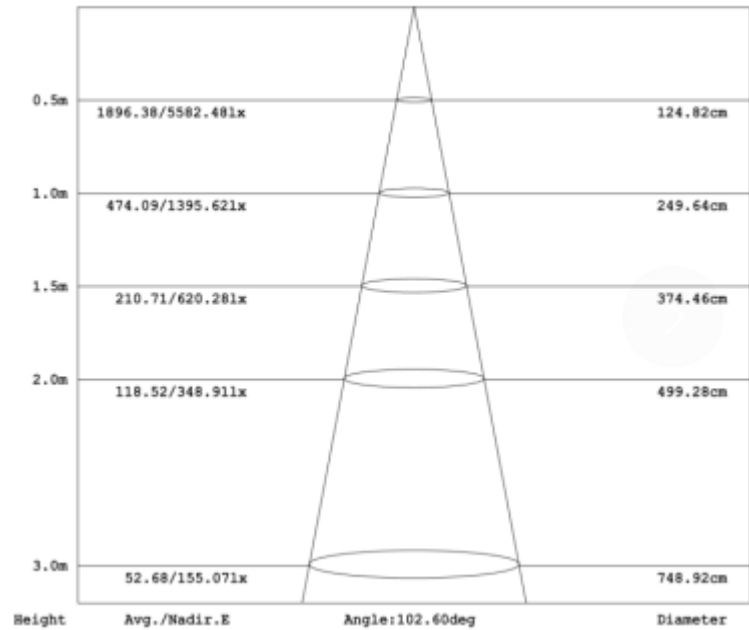
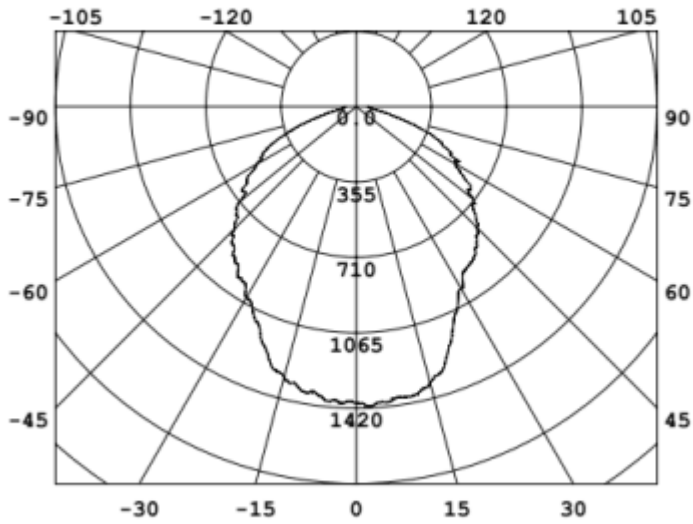
SPECIFICATIONS

Power	20W	30W	70W	100W
Model	BB-LD-20W-C	BB-LD-30W-C	BB-LD-70W-C	BB-LD-100W-C
Luminous Flux	2600lm	3900lm	9100lm	13000lm
Replacement	HPS 75W	HPS 105W	HPS 250W	HPS 350W
Light Source	SMD LED			
Luminous Efficacy	>130lm/w			
Operation Temp.	-40 to +45°C			
CCT	2700K SW / 3000K WW / 4100K NW / 5000K DW / 5700K CW			
CRI	85			
Life Span	50,000 hours at 25°C			
Voltage	100-277VAC/50-60HZ 200-480VAC available			
Driver	BBIER POWER SUPPLY			
Dimming	NO			
Beam Angle	120°			
PF	>0.95			
Warranty	5Years			

DIMENSIONAL DRAWING



LUMINOUS INTENSITY DISTRIBUTION



PROJECTS

By using our 100W led dust to dawn light replace 350W MH/HPS/HID/LPS ect traditional lamp fixture for street light , customer is now able to save a lot per month from his electric bill



Replace



100W LED = 350W HPS

Note:

- Don't take the LED lamp apart.
- The LED lamp must work under the right voltage according to the specification.

PACKING INFO



Item	Packaging unit	Carton Size(mm) (L*W*H)	N.W	G.W	Volume weight
20W-30W	4pc/CTN	201*167*90 mm	6.72kg	7.36kg	7.6kg
70W-100W	2pc/CTN	285*240*160mm	7.8kg	9kg	9.2kg