



LED Mini Corn Light

BRIGHTEN YOUR LIFE

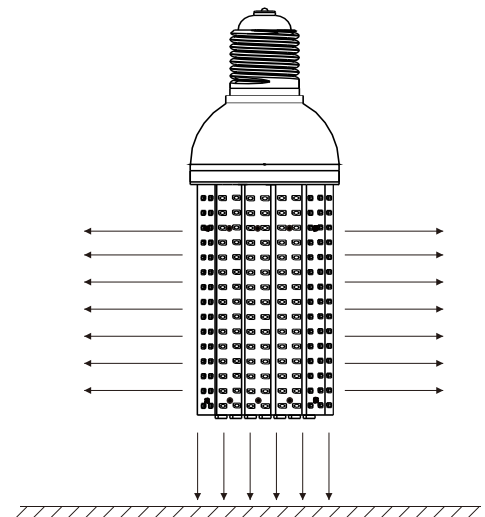
NEW LED TECHNOLOGY THAT ALLOWS THE COEXISTENCE OF ENVIRONMENTAL PROTECTION AND ENERGY SAVING

Benefits

1. Incandescent/MH/HPS/HID/MHL/CFL lamp retrofit
2. Screw Base Direct Install by bypass ballast
3. 100% Pure Aluminum Fins Heat Sink
4. Universal Base E26/E27/E39/E40
5. ETL CETL SAA TUV CE ROHS listed



BB-HJD-XXX



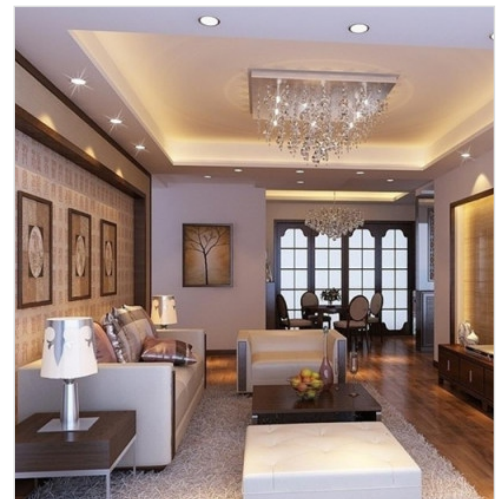
Features

1. Beam angle:360 degrees.
2. Aluminum fins heat sinks is good for heat dissipation.
3. It's major to replace the CFL/MH/HID/HPS.
4. Green, energy saving, long and reliable life of 50,000 hours.
5. No RF interference, No IR/UV radiation ,no mercury pollution.
6. Wide colour availability in degrees Kelvin(K),2700-6700K.
7. Streamline exterior design, beautiful appearance.
8. Environment friendly ,energy saving (70~80%).
9. Special circuit design, each LED work separately, avoiding the single broken LED influence problem.



Application

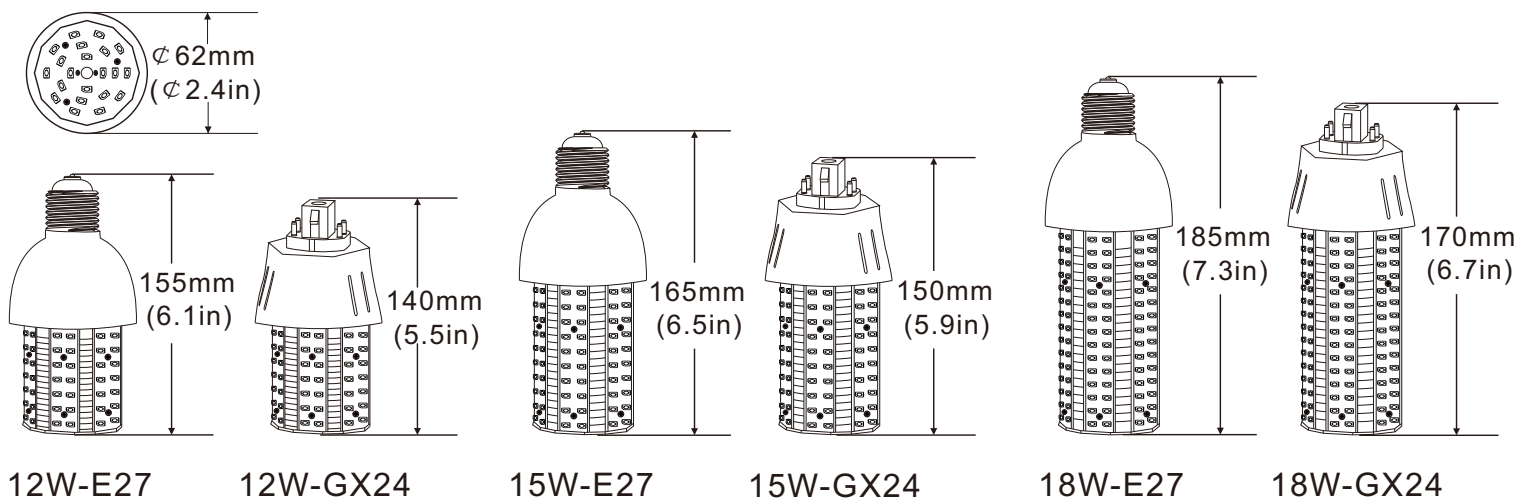
1. Wall Lamp.
2. ceiling Lamp.
3. chandeliers.
4. Table Lamp.
5. Floor Lamp.



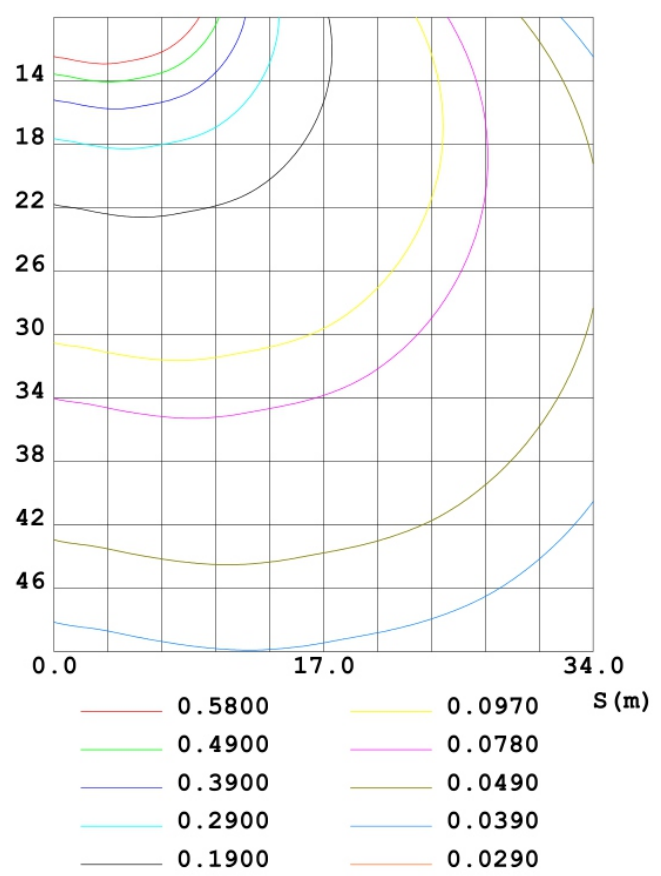
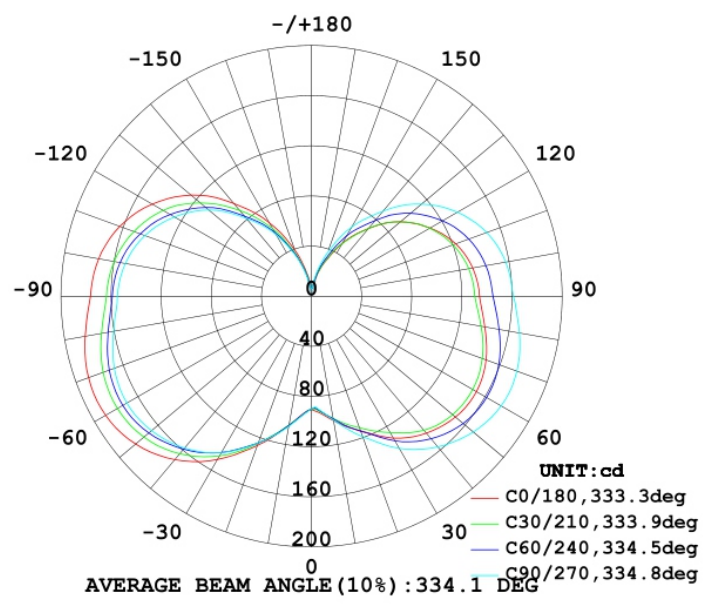
SPECIFICATIONS

Power	12W	15W	18W
Model	BB-HJD-013-F12W6S	BB-HJD-014-F15W6S	BB-HJD-015-F18W6S
Luminous Flux	1300lm	1600lm	2000lm
Replacement	CFL/HPS 35W	CFL/HPS 45W	HPS 55W
Light Source	SMD LED		
Luminous Efficacy	>110lm/w		
Operation Temp.	-40 to +45°C		
CCT	2700K SW / 3000K WW / 4100K NW / 5000K DW / 5700K CW		
CRI	85		
Life Span	50,000 hours at 25°C		
Voltage	100-277VAC/50-60HZ		
Driver	Internal Power Supply		
Dimming	available		
Beam Angle	360°		
Lamp Base	E27 GX24D-1/2/3 GX24Q-1/2/3/4		
PF	>0.95		
Warranty	3Years		

DIMENSIONAL DRAWING



LUMINOUS INTENSITY DISTRIBUTION



PROJECTS

By using our 18W LED Corn Bulb to replace 55W Compact Fluorescent Lamp for garden lighting fixtures, the customer is now able to save a lot per month from his electric bill.



18W LED = 55W CFL



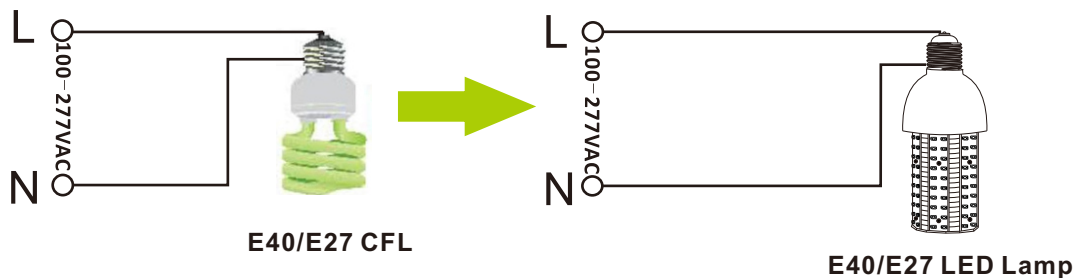
Note:

- Don't take the LED lamp apart
- The LED lamp must work under the right voltage according to the specification

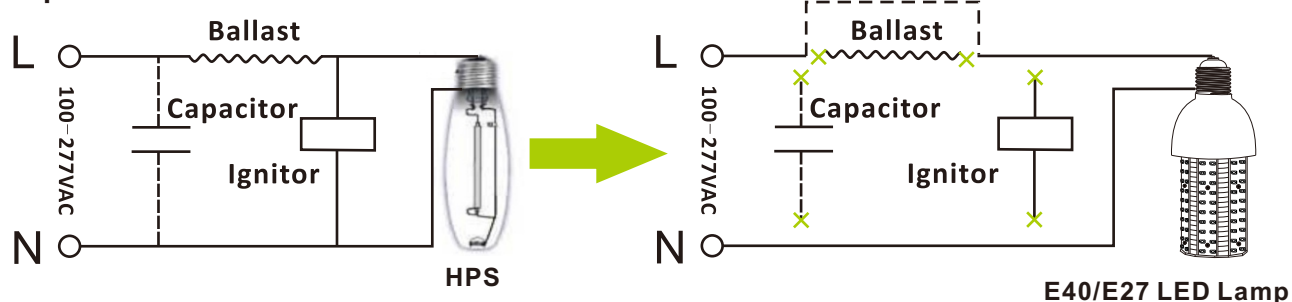
INSTALLATION

Normally. The traditional lamp has the ballast or capacitor or ignitor, like HPS, MH.

Replace E40/E27 CFL

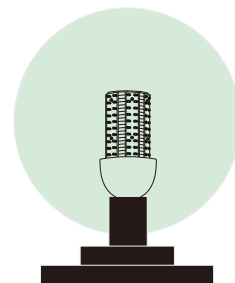


Replace HPS/MH



1. Remove the Ballast, Capacitor, Ignitor
2. Only need to put the L (live wire), N (null line) connected to the external power supply

When LED Corn Light installed in enclosed fixture, please make sure fixture diameter enough big for heat dissipation.



PACKING INFO



Items	Packaging unit	Carton Size(mm) (L*W*H)	N.W	G.W	Volume weight
12-15W	100pcs/CTN	750*350*350mm	23.0kg	23.5kg	20.8kg
18W	100pcs/CTN	830*350*350mm	25.0kg	25.5kg	23.5kg